



The Harman Clarity Series Gas Stoves



*C*rafted for Elegance,
Engineered for Excellence

THE HARMAN CLARITY

Clearly... Elegance Redefined!



“ From the distinctive fire and log set to the door with its unique and soft arch, the Clarity provides an atmosphere that is both realistic and refined. Available in several designer color choices, the Clarity easily becomes a part of any decor. The Clarity is simple to operate, packed with user-friendly innovations, and engineered to last. It will give you plenty of warmth to go with its tasteful appearance. ”

Dane Harman

Gold-arched window enables larger view of fire.

Attractive and realistic looking ceramic fibre log set.

Entire flame appearance highlighted with soft, red “glow cave” effect.

Generous 28,000 to 40,000 BTU heating capacity.

Available in natural gas or propane.

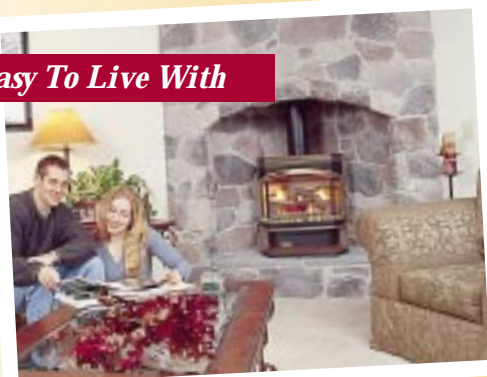
Finger tip controls within easy reach.



SERIES GAS STOVES

Available in
direct or B vent
models.

Easy To Live With

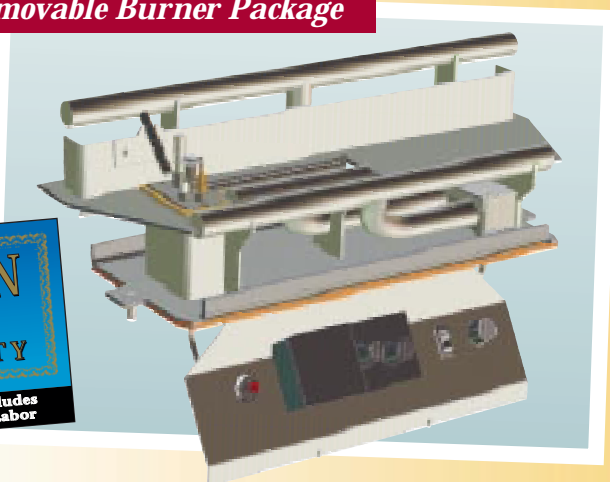


Blower for superior
heat circulation comes
standard.

*Gas-fired
convenience
has never
looked better
or been this
simple.*

5 individual flames
for a distinctively
beautiful fire.

Removable Burner Package



**HARMAN
GOLD
WARRANTY**

6 Year Warranty Includes
3 Years Parts and Labor

Sets the Standard for Durability

*Unlike other stove manufacturers that produce
burners out of aluminum sheet metal, Harman
uses thick austenitic stainless steel for added
safety and durability.*

Clearly Elegant

The first thing you notice is the fire. The Clarity's unique door design lets you see more of it, actually framing the fire in gold with a tasteful arch that allows an exceptionally expansive view. The flame pattern and the log set have been designed and crafted for beauty and realism, complete with 5 individual flames and a soft, red "glow cave" in the center. Surround the fire with a color finish and you have a warm and inviting addition to a variety of decors.

Clearly Innovative

Long the industry leader in solid fuel technology, the Harman Clarity continues the tradition with a narrow body that fits in your home. The control panel is located in front for easy access and is simple to operate. Its exclusive triple burner module lets you effortlessly adjust back, front, or center flame pattern to your taste, without having to turn off the Clarity. The entire burner package is easily removable for servicing, switching from propane to natural gas, or vice versa.

Clearly Dependable

The Clarity comes to you backed by the Harman's Gold Warranty and by its well-earned reputation for building the most reliable heating appliances.

Clearly a Harman

For all its good looks, the Clarity still heats like a Harman, with a powerful 28,000 to 40,000 BTU range. For lasting warmth that pleases the eye, the choice is clear.

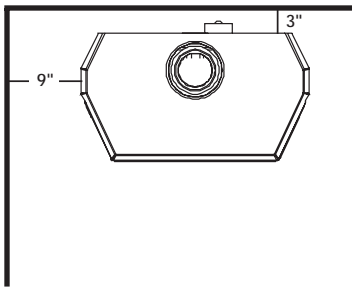


The Harman Clarity Series Gas Stoves

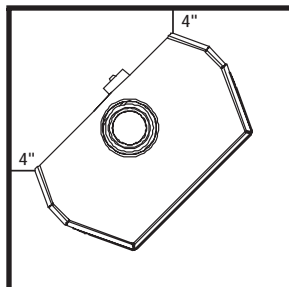
Specifications:

	DIRECT VENT	B VENT
Weight	312 pounds	312 pounds
BTU range	28,000 to 40,000	28,000 to 40,000
Fuel	Natural gas or propane	Natural gas or propane
Variable Speed Blower	Standard	Standard
Blower size	135 cfm	135 cfm
On/Off Switch	Standard	Standard
Removable Burner Module	Standard	Standard
Gold Plated Door	Standard	Standard
Remote Control Ready	Yes	Yes
Thermostat Ready	Yes	Yes

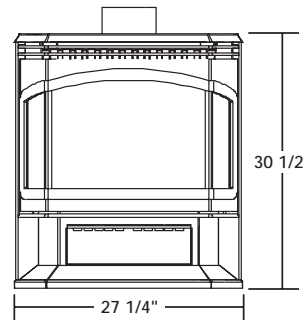
Clearances and Dimensions:



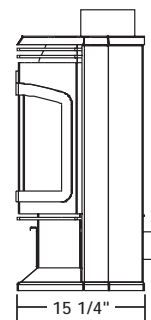
Top View



Corner Installation



Front View



Side View

Safety Testing (by Warnock Hersey):

DIRECT VENT

ANSI Z21.11.1-1993 • ANSI Z21.44-1993

CAN 1-2.1-M89 • CGA I.R.41-M91

CAN/CGA 2.17-M91 • Mobile home-approved

B VENT

ANSI Z21.11.1-1993 • CAN 1-2.1-M89

CAN/CGA 2.17-M91



MADE IN U.S.A.



352 Mountain House Road
Halifax, PA 17032
Phone: (717) 362-9080
Customer Service: (717) 362-1422
Fax: (717) 362-4251
www.harmanstoves.com

Discover The Difference

Your Harman Dealer Is: